

FIELD ENGINEERING BULLETIN

VOLUME II PART 7
REFERENCE NUMBER 70095
SHEET NUMBER 1 of 2
MODEL NUMBER AG-300 AG-350
DATE OF ISSUE May 27, 1966
DISTRIBUTION: C 39, D 1 & 7;
C 60, D 3; C 64, D 0; C 65, D 9;
C 70, D 7.

Mailing #66-10-28

TITLE BIAS BUILD-UP NOISE ELIMINATION**I** APPLICABILITY:

AG-350 and AG-300.

II PURPOSE:

To eliminate noise which is heard during the build-up time of the bias voltage.

III DISCUSSION:

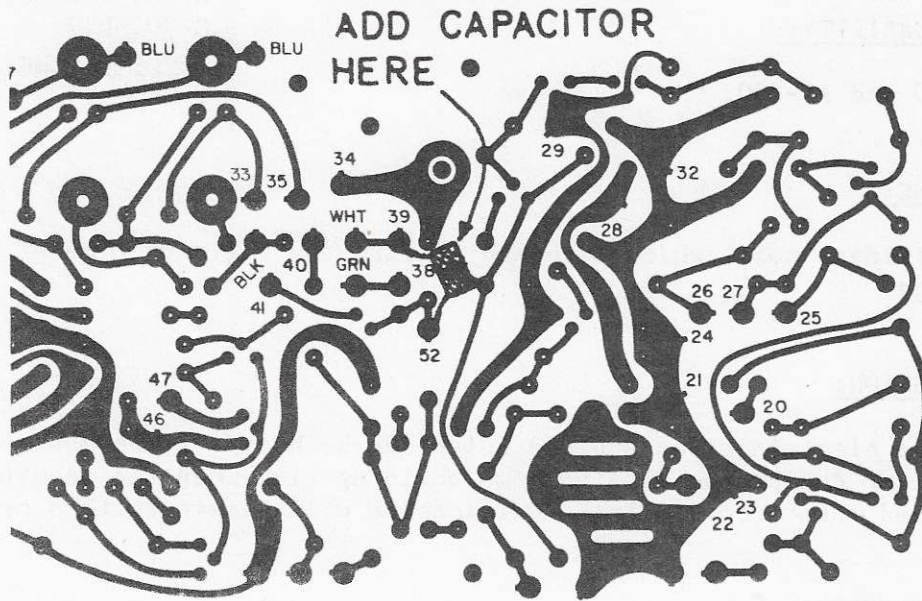
In some electronics an audible noise can be heard from a monitor speaker-amplifier during the bias voltage build-up time when the machine is switched into record. This modification will eliminate this problem.

IV PART REQUIRED:

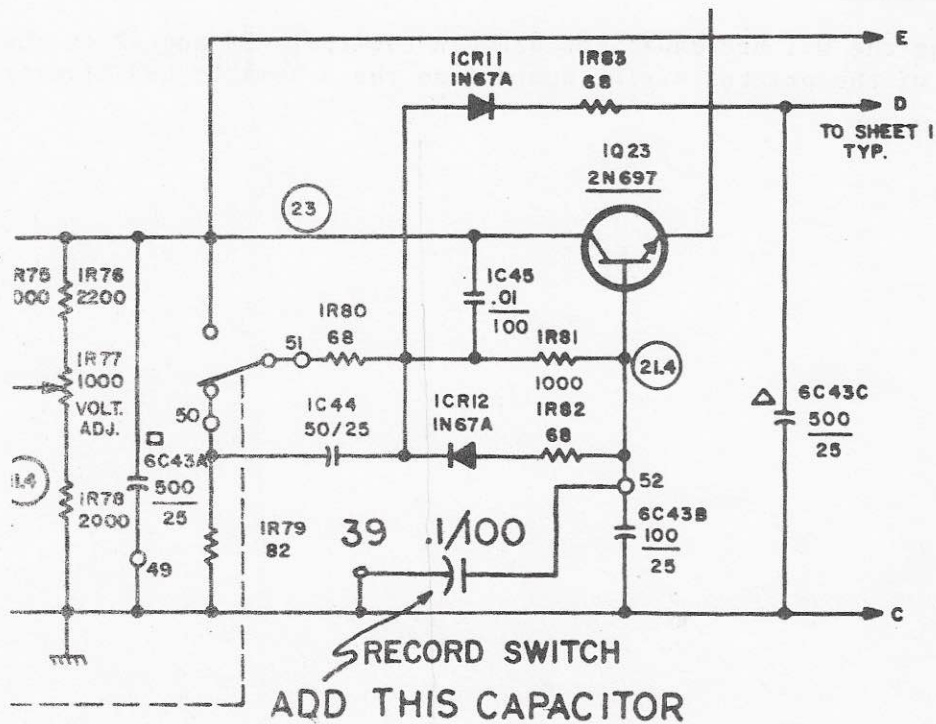
1 each 0.1 Mfd., 100 Volt, Capacitor Ampex part number 030-457
or equivalent.

V PROCEDURE:

Solder the 0.1 Mfd capacitor between terminals 39 and 52 on the circuit side of the printed wiring board (see the schematic and illustration).



ILLUSTRATION



SCHEMATIC